



REPUBLIC AVIATION CORPORATION  
FARMINGDALE, LONG ISLAND, NEW YORK  
• • • SERVICE DEPARTMENT • • •

---

July 23, 1947

No. 39

---

**INSTALLATION OF LOUVERS IN BAGGAGE COMPARTMENT**  
**TO PROVIDE ADDITIONAL COOLING**

An installation of louvers for the baggage compartment has been designed to provide additional cooling for the cabin by exhausting the heat in the baggage compartment. This installation consists of the addition of a louver on either side at the forward part of the baggage compartment and a screen covering an opening on either side of the aft end of the baggage compartment. As no production parts are available for kits for this modification, we are including details for making the necessary parts as well as installation instructions.

Although no parts are available for this installation, flight tests have shown a reduction of 15 to 25 degrees Fahrenheit in the baggage compartment.

W. H. Ehmann  
Service Manager

Figure 1

LOUVRE DETAIL  
OSI ALCLAD SHT.

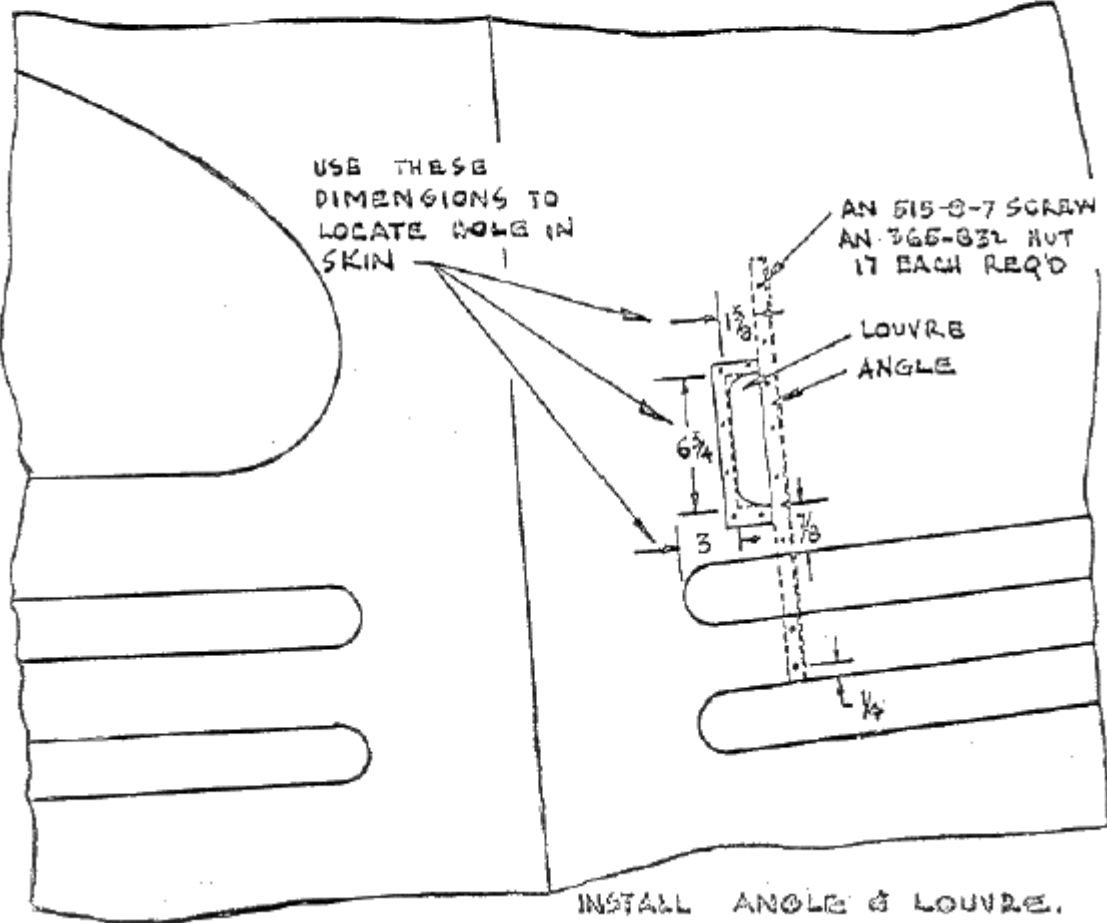
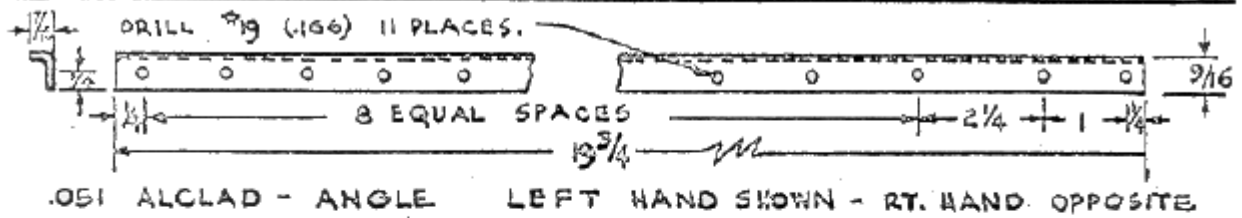
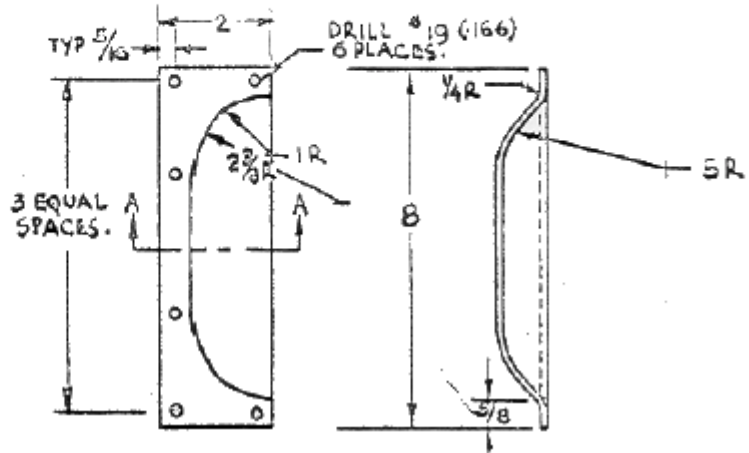
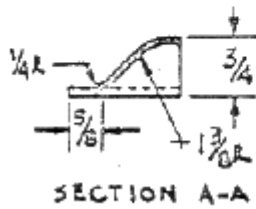
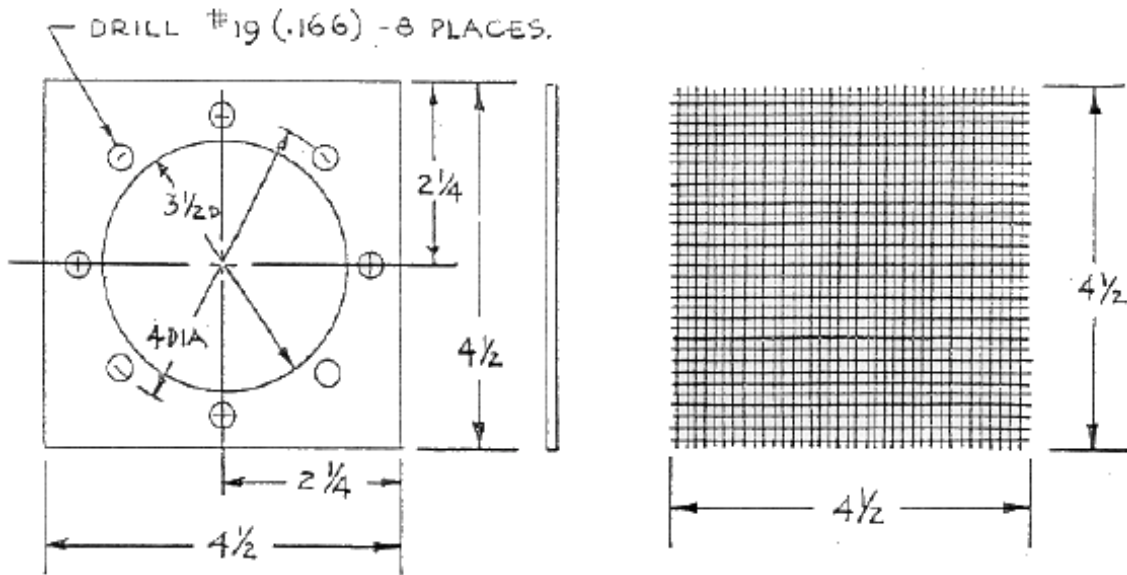


Figure 2



MATERIAL .040 ALCLAD SHEET.  
2 REQ'D  
PLATE.

1/8 MESH WIRE .015 TO .020.  
2 REQ'D  
SCREEN.

