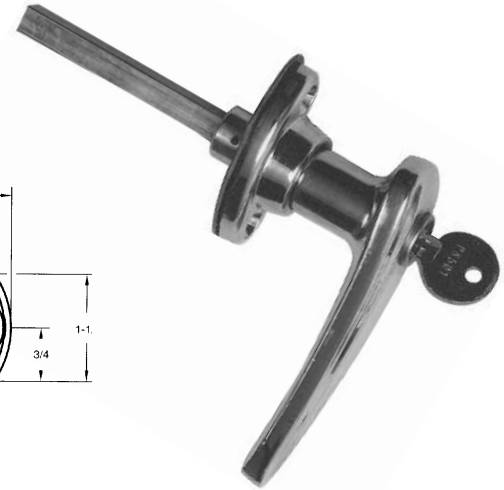
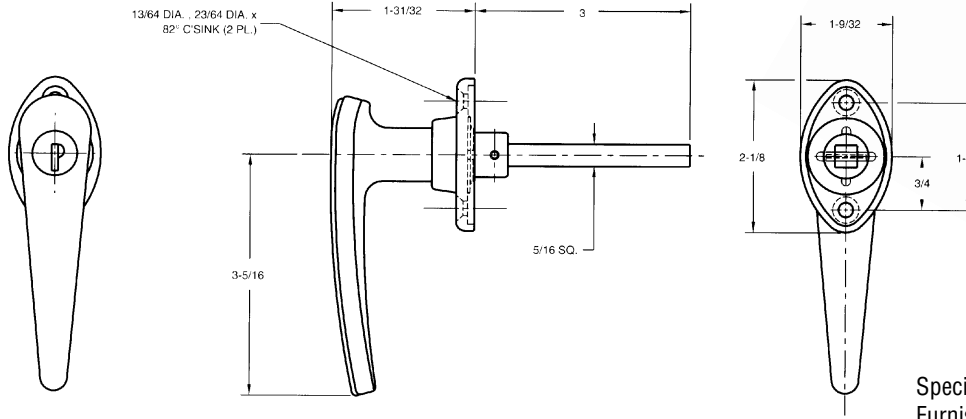


Locking Handles

No. 272 1/2

Steel shank 5/16" square, 3" long. Chromium-plated.
Weight 10 oz. Special length shanks available on special order.
Note: No. 20072 3/4 has 1-3/4" hole centers.



Special length shanks available on special order.
Furnished with gasket. Weight 10 oz. (283 grams)

HANDLES

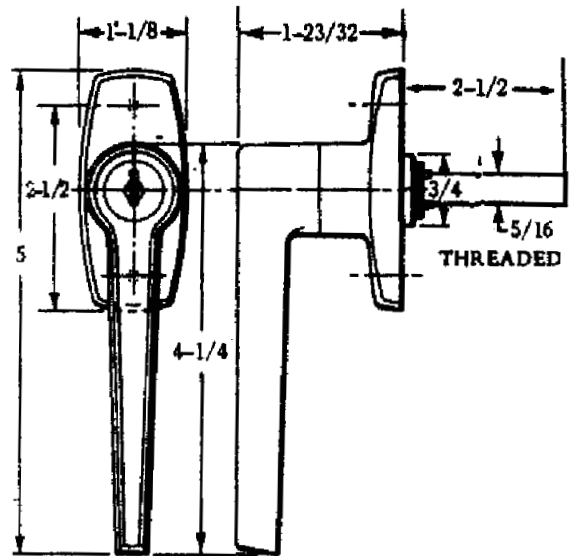
No. AH NEMA 90 CW and CCW

Please specify which Turn and Mounting Position you need. Jam nuts sold separately. Also available in non-keylocking.

Finish: Satin Chrome

Blind Mounting Handles (NEMA Specifications)

These handles have "O" rings for oil and moisture sealing.



GNA Gasket



NOTE: All items depicted in this catalog are for reference only.