



U.S Department of
Transportation
Federal Aviation
Administration

MAJOR REPAIR AND ALTERATION (Airframe, Powerplant, Propeller, or Appliance)

Form Approved
OMB No. 2120-0020

For FAA Use Only

Office Identification

WP-13 HNL-FSDO SDC

INSTRUCTIONS: Print or type all entries. See FAR 43.9, FAR 43 Appendix B, and AC 43.9-1 (or subsequent revision thereof) for instructions and disposition of this form. This report is required by law (49 U.S.C. 1421). Failure to report can result in a civil penalty not to exceed \$1,000 for each such violation (Section 901 Federal Aviation Act 1958)

1. Aircraft	Make REPUBLIC	Model RC-3
	Serial No. 462	Nationality and Registration Mark N6255K
2. Owner	Name (As shown on registration certificate) GOULD ROBERT A, TRUSTEE	Address (As shown on registration certificate) 44-365 KANEOHE BAY DR. KANEOHE, HI 96744-2664

3. For FAA Use Only

The TECHNICAL DATA identified herein has been found to comply with applicable airworthiness requirements and is hereby approved for use only on the above described aircraft, subject to conformity inspection by a person in 14 CFR, Part 43, Section 43.7.

Stanley C. Chuck Date *04/04/06*

 STANLEY C. CHUCK WP-HNL-FSDO

4. Unit Identification

5. Type

Unit	Make	Model	Serial No.	Repair	Alteration
AIRFRAME	~~~~~(As described in item 1 above)~~~~~				X
POWERPLANT					
PROPELLER					
APPLIANCE	Type				
	Manufacturer				

6. Conformity Statement

A. Agency's Name and Address TIM SUTTER HCO1 BOX 1723 GLENNALLEN, AK 99588	B. Kind of Agency <input checked="" type="checkbox"/> U.S. Certified Mechanic <input type="checkbox"/> Foreign Certified Mechanic <input type="checkbox"/> Certified Repair Station <input type="checkbox"/> Manufacturer	C. Certificate No. 2236424
--	--	--------------------------------------

D. I certify that the repair and/or alteration made to the unit(s) identified in item 4 above and described on the reverse or attachments hereto have been made in accordance with the requirements of Part 43 of the U.S. Federal Aviation Regulations and that the information furnished herein is true and correct to the best of my knowledge.

Date <i>April 14, 2006</i>	Signature of Authorized Individual <i>Tim Sutter</i>
-------------------------------	---

7. Approval for Return to Service

Pursuant to the authority given persons specified below, the unit identified in item 4 was inspected in the manner prescribed by the Administrator of the Federal Aviation Administration and is APPROVED REJECTED

BY	FAA Fit Standards Inspector	Manufacturer	X	Inspection Authorization	Other (Specify)
	FAA Designee	Repair Station		Person Approved by Transport Canada Airworthiness Group	

Date of Approval or Rejection <i>April 14 2006</i>	Certificate or Designation No. 2236424	Signature of Authorized Individual <i>Tim Sutter</i>
---	---	---

NOTICE

Weight and balance or operating limitation changes shall be entered in the appropriate aircraft record. An alteration must be compatible with all previous alterations to assure continued conformity with the applicable airworthiness requirements.

8. Description of Work Accomplished

(If more space is required, attach additional sheets. Identify with aircraft nationality and registration mark and date work completed.)

Republic RC-3 SeaBee, N6225K, S/N 462, TTSN 769.2.

Modified aircraft by installation of three West Marine 550 GPH bilge pumps, three Rule model 35 automatic switches, three check valves, two Perko thru hull fittings, and two bulkhead fittings.

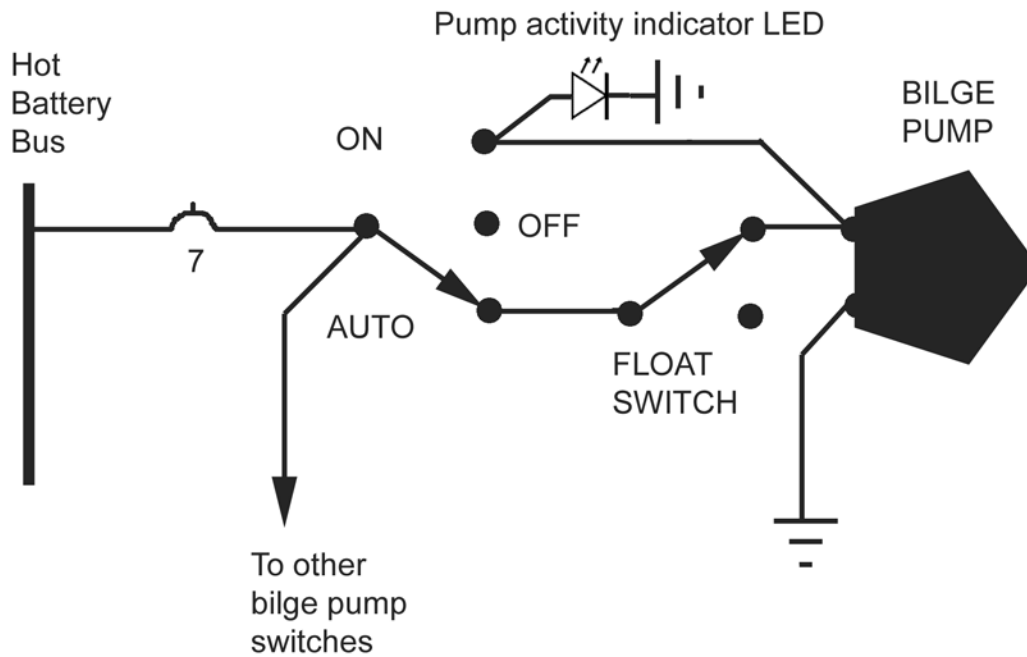
1. A pump and switch combination was mounted in the bottom of three hull compartments, at stations 74, 170, and 177 on plexiglass mounting plates.
2. Three way toggle switches were mounted on the instrument panel for manual, automatic, and off options.
3. Wiring was performed in accordance with AC 43.13-1B/2A chapter 11.
4. Equipment list was updated.
5. Aircraft to be weighed before return to service.

-----END-----

Additional Sheets Are Attached

Drawing 1

Bilge pump wiring diagram (one of three)



Bilge pump photos



Bilge pump photos page 2



FWD bilge pump outlet



Aft and center bilge pump outlet

Bilge pump and switch on mount (typical)

