



US Department of Transportation  
Federal Aviation Administration

## MAJOR REPAIR AND ALTERATION (Airframe, Powerplant, Propeller, or Appliance)

Form Approved  
OMB No. 2120-0020

For FAA Use Only

Office Identification

WP-27 MB

**INSTRUCTIONS:** Print or type all entries. See FAR 43.9, FAR 43 Appendix B, and AC 43.9-1 (or subsequent revision thereof) for instructions and disposition of this form. This report is required by law (49 U.S.C. 1421). Failure to report can result in a civil penalty not to exceed \$1,000 for each such violation (Section 901 Federal Aviation Act of 1958).

<b>1. Aircraft</b>	Make <b>Republic</b>	Model <b>RC-3</b>
	Serial No. <b>1000</b>	Nationality and Registration Mark <b>N5166B</b>
<b>2. Owner</b>	Name (As shown on registration certificate) <b>Davey Darrell L Davey Deborah A</b>	Address (As shown on registration certificate) <b>6613 Santa Rosa Rd Camarillo Ca 93012-5672</b>

### 3. For FAA Use Only

The data identified herein complies with the applicable airworthiness requirements and is approved for the above described aircraft, subject to conformity inspection by a person authorized in FAR 43, Section 43.7

20 Sep 99 *[Signature]*

DATE SIGNATURE OAK-FSDO

### 4. Unit Identification

### 5. Type

Unit	Make	Model	Serial No.	Repair	Alteration
AIRFRAME	~~~~~ (As described in Item 1 above) ~~~~~				<input checked="" type="checkbox"/>
POWERPLANT					
PROPELLER					
APPLIANCE	Type				
	Manufacturer				

### 6. Conformity Statement

<b>A. Agency's Name and Address</b>  <b>Kenneth L. Thompson</b> <b>PO Box 411</b> <b>Vineburg, Ca. 95487</b>	<b>B. Kind of Agency</b> <input checked="" type="checkbox"/> U.S. Certificated Mechanic <input type="checkbox"/> Foreign Certificated Mechanic <input type="checkbox"/> Certificated Repair Station <input type="checkbox"/> Manufacturer	<b>C. Certificate No.</b>  <b>545767051</b>
--	---	---

**D. I certify that the repair and/or alteration made to the unit(s) identified in item 4 above and described on the reverse or attachments hereto have been made in accordance with the requirements of Part 43 of the U.S. Federal Aviation Regulations and that the information furnished herein is true and correct to the best of my knowledge.**

Date <b>9-20-99</b>	Signature of Authorized Individual <i>Ken Thompson</i>
------------------------	---

### 7. Approval for Return To Service

Pursuant to the authority given persons specified below, the unit identified in item 4 was inspected in the manner prescribed by the Administrator of the Federal Aviation Administration and is  APPROVED  REJECTED

<b>BY</b>	FAA Fit. Standards Inspector	Manufacturer	<input checked="" type="checkbox"/> Inspection Authorization	Other (Specify)
	FAA Designee	Repair Station	Person Approved by Transport Canada Airworthiness Group	
Date of Approval or Rejection <b>9-20-99</b>		Certificate or Designation No. <b>552273581</b>	Signature of Authorized Individual <i>Douglas P. Smith</i>	

## NOTICE

*Weight and balance or operating limitation changes shall be entered in the appropriate aircraft record. An alteration must be compatible with all previous alterations to assure continued conformity with the applicable airworthiness requirements.*

### 8. Description of Work Accomplished

*(If more space is required, attach additional sheets. Identify with aircraft nationality and registration mark and date work completed.)*

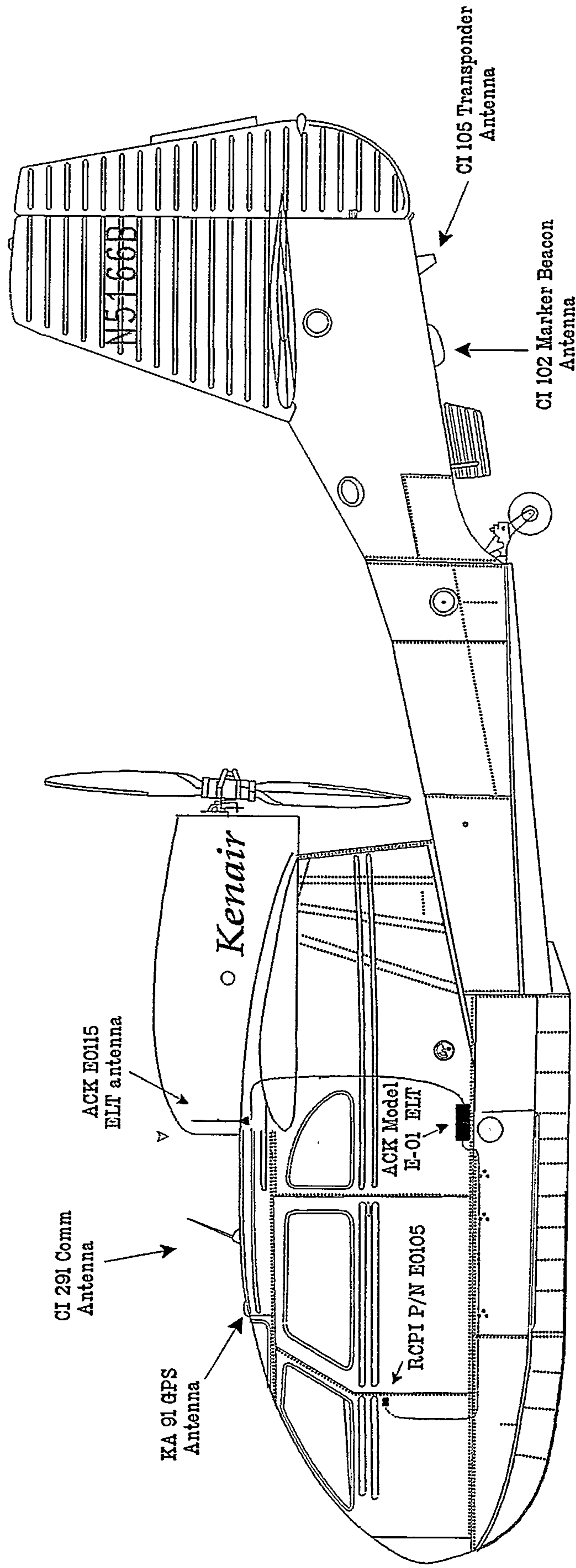
Republic RC-3      N5166B      Ser.# 1000

2. Description: Installed ACK Technologies Inc. E.L.T. Model E-01 w/ mounting tray P/N E0104 on floor behind left rear seat, remote control /panel indicator P/N E0105 in lower left instrument panel, and antenna P/N E0115 on top of cabin and sealed with PRC 1422-B2 polysulfide compound. Mounting tray mounted with 4ea. AN526C-832, AN364-832 and AN960-8 to cabin floor. Work done in accordance with ACK model E-01 installation manual rev. 9-94, and AC 43.13 2A, ch.1, ch. 2, para.28.
3. Control, operation information: Reference ACK model E-01 installation manual rev. 9-94
4. Servicing information: None
5. Maintenance instructions: Must be inspected in accordance with ACK model E-01 installation manual rev. 9-94, FAR 43 appendix D and FAR 91.207.
6. Trouble shooting information: None
7. Removal and replacement information: Reference ACK model E-01 installation manual rev. 9-94
8. Diagrams: None
9. Special inspection requirements: N/A
10. Application of protective treatments: PRC 1422-B2 polysulfide compound to seal antenna
11. Data: None
12. List of special tools: None
13. For commuter category aircraft: N/A
14. Recommended overhaul periods: No additional overhaul time limitations
15. Airworthiness limitation section: No additional airworthiness limitations
16. Revision: A letter will be submitted to the local FSDO with a copy of the revised FAA form 337

Additional Sheets Are Attached

# Republic RC-3 N5166B

## ACK ELT component location



66-02-6

8-25-99

Pg.2 of 3

Republic RC-3 N5166B SER#1000  
 ACK E-01 ELT Panel Unit P/N E0105

