

MAJOR REPAIR AND ALTERATION
(Airframe, Powerplant, Propeller, or Appliance)

FOR FAA USE ONLY

OFFICE IDENTIFICATION

INSTRUCTIONS: Print or type all entries. See FAR 43.9, FAR 43 Appendix B, and AC 43.9-1 (or subsequent revision thereof) for instructions and disposition of this form.

1. AIRCRAFT	MAKE Republic	MODEL RC-3 Seabee
	SERIAL NO. 264	NATIONALITY AND REGISTRATION MARK N12CX
2. OWNER	NAME (As shown on registration certificate) Crossings Aviation	ADDRESS (As shown on registration certificate) 1302 26th Ave. NW Gig Harbor WA

DATA 3. FOR FAA USE ONLY
The alteration identified herein complies with applicable
airworthiness requirements and is approved only for the
above described aircraft subject to conformity inspection
by a person authorized in F. A. R. 43.7 (b) & (c)
07-29-93 *Don Wallace SEA-ESD*
DATE SIGNATURE

4. UNIT IDENTIFICATION				5. TYPE	
UNIT	MAKE	MODEL	SERIAL NO.	REPAIR	ALTERATION
AIRFRAME	~~~~~ (As described in item 1 above) ~~~~~				X
POWERPLANT					
PROPELLER					
APPLIANCE	TYPE				
	MANUFACTURER				

RECEIVED
APR 27 1998
SEATTLE FSDO-AW

6. CONFORMITY STATEMENT		
A. AGENCY'S NAME AND ADDRESS	B. KIND OF AGENCY	C. CERTIFICATE NO.
Don Wallace dba W.E. Aerotech Services Inc. W 171 Sanderson Way, Shelton WA	<input checked="" type="checkbox"/> U.S. CERTIFICATED MECHANIC	552-76-1362
	<input type="checkbox"/> FOREIGN CERTIFICATED MECHANIC	
	<input type="checkbox"/> CERTIFICATED REPAIR STATION	
	<input type="checkbox"/> MANUFACTURER	

D. I certify that the repair and/or alteration made to the unit(s) identified in item 4 above and described on the reverse or attachments hereto have been made in accordance with the requirements of Part 43 of the U.S. Federal Aviation Regulations and that the information furnished herein is true and correct to the best of my knowledge.

DATE 7-22-93	SIGNATURE OF AUTHORIZED INDIVIDUAL <i>Don Wallace</i>
-----------------	--

7. APPROVAL FOR RETURN TO SERVICE
Pursuant to the authority given persons specified below, the unit identified in item 4 was inspected in the manner prescribed by the Administrator of the Federal Aviation Administration and is APPROVED REJECTED

BY	FAA FLT. STANDARDS INSPECTOR	MANUFACTURER	<input checked="" type="checkbox"/>	INSPECTION AUTHORIZATION	OTHER (Specify)
	FAA DESIGNEE	REPAIR STATION		CANADIAN DEPARTMENT OF TRANSPORT INSPECTOR OF AIRCRAFT	

DATE OF APPROVAL OR REJECTION 8-6-93	CERTIFICATE OR DESIGNATION NO. IA 756078	SIGNATURE OF AUTHORIZED INDIVIDUAL <i>Don Wallace</i>
---	---	--

NOTICE

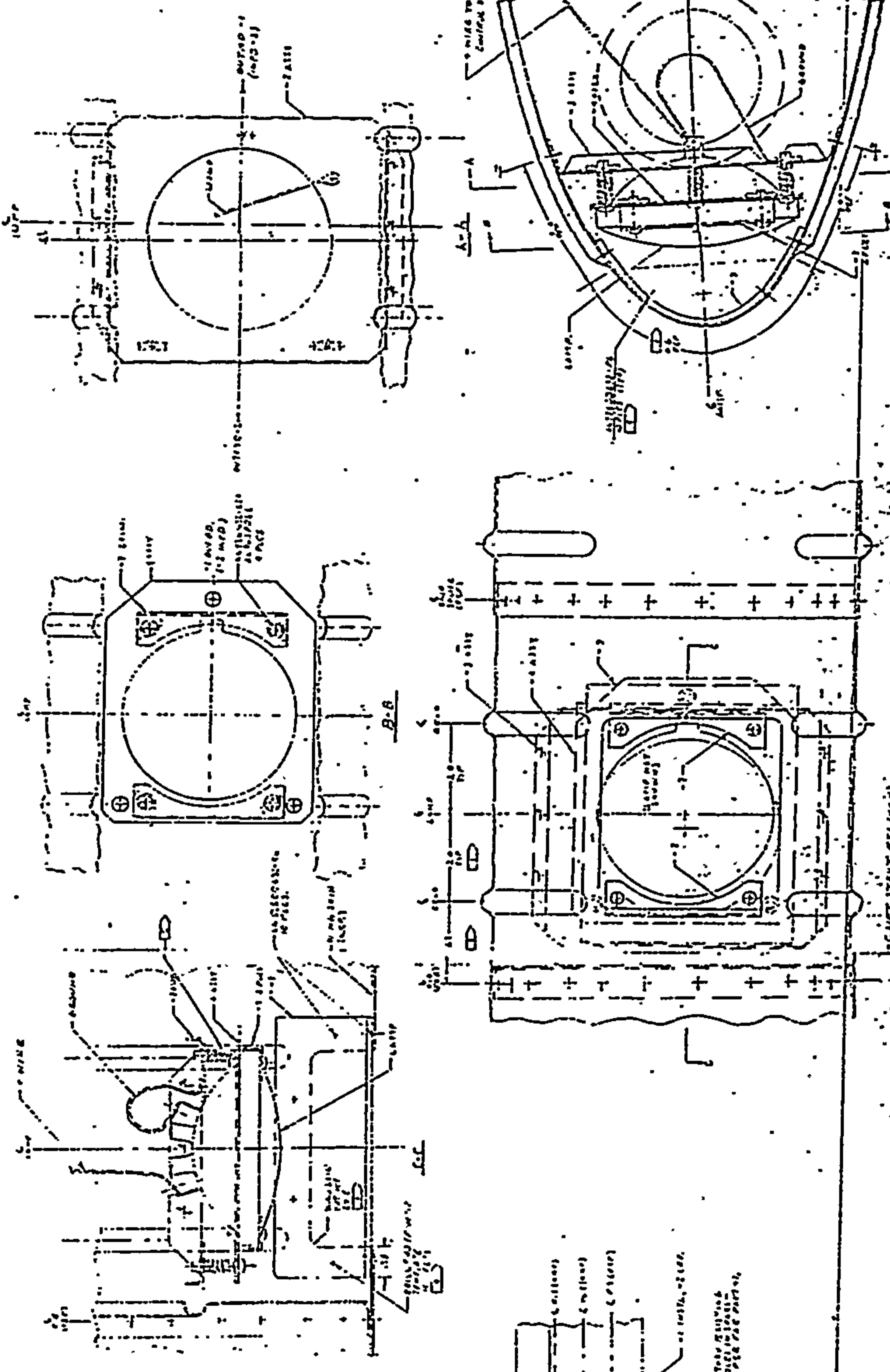
Weight and balance or operating limitation changes shall be entered in the appropriate aircraft record. An alteration must be compatible with all previous alterations to assure continued conformity with the applicable airworthiness requirements.

8. DESCRIPTION OF WORK ACCOMPLISHED (If more space is required, attach additional sheets. Identify with aircraft nationality and registration mark and date work completed.)

Fabricated and installed Simuflight landing lights in accordance with Simuflight drawings SP6000 sheet 1&2. Wiring through instrument panel mounted switch and circuit breaker done in accordance with AC 43.13 2A Chapt. 4, Section 51b, 53 and 54 and AC 43.13 1A Change 3, Chapt 11, Section 2 Par. 428, 429 and 430. See current weight and balance and equipment list dated 7-22-93.

END

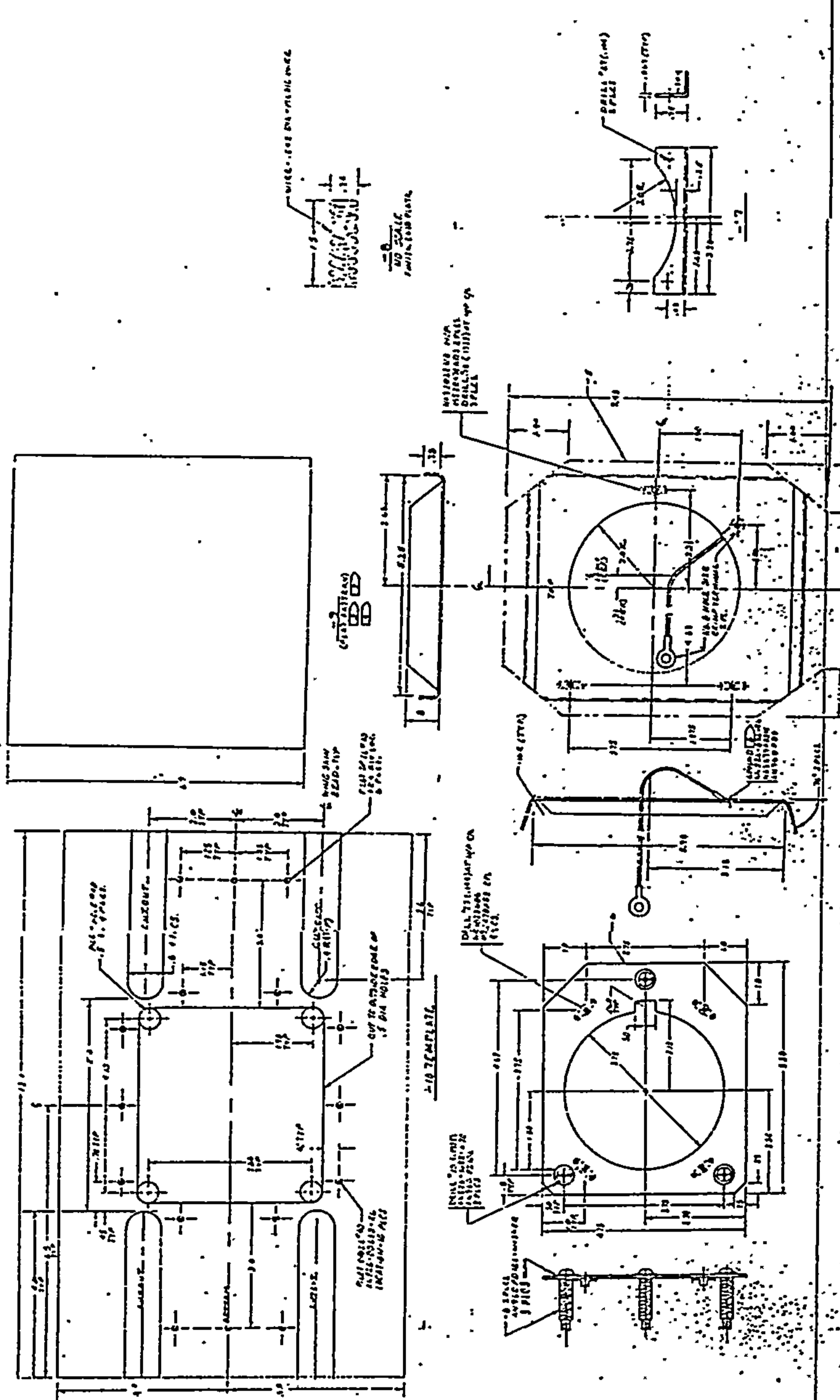
ADDITIONAL SHEETS ARE ATTACHED



1. THE LIGHT ASSEMBLY SHALL BE MOUNTED TO THE AIRCRAFT STRUCTURE BY MEANS OF THE MOUNTING BRACKET SHOWN IN THE PERSPECTIVE VIEW. THE LIGHT SHALL BE MOUNTED TO THE AIRCRAFT STRUCTURE BY MEANS OF THE MOUNTING BRACKET SHOWN IN THE PERSPECTIVE VIEW. THE LIGHT SHALL BE MOUNTED TO THE AIRCRAFT STRUCTURE BY MEANS OF THE MOUNTING BRACKET SHOWN IN THE PERSPECTIVE VIEW.

ITEM NO.	DESCRIPTION	QUANTITY	UNIT	REMARKS
1	LANDING LIGHT ASSEMBLY	1	EA	
2	LANDING LIGHT LENS	1	EA	
3	LANDING LIGHT REFLECTOR	1	EA	
4	LANDING LIGHT MOUNTING BRACKET	1	EA	
5	LANDING LIGHT ELECTRICAL WIRING	1	EA	
6	LANDING LIGHT ELECTRICAL CONNECTORS	1	EA	
7	LANDING LIGHT ELECTRICAL INSULATION	1	EA	
8	LANDING LIGHT ELECTRICAL PROTECTIVE COVERING	1	EA	
9	LANDING LIGHT ELECTRICAL LABELS	1	EA	
10	LANDING LIGHT ELECTRICAL WIRING HARNESS	1	EA	
11	LANDING LIGHT ELECTRICAL WIRING BUNDLE	1	EA	
12	LANDING LIGHT ELECTRICAL WIRING TRAY	1	EA	
13	LANDING LIGHT ELECTRICAL WIRING CLAMP	1	EA	
14	LANDING LIGHT ELECTRICAL WIRING TIE	1	EA	
15	LANDING LIGHT ELECTRICAL WIRING SPLIT BUSH	1	EA	
16	LANDING LIGHT ELECTRICAL WIRING GROMMET	1	EA	
17	LANDING LIGHT ELECTRICAL WIRING SLEEVE	1	EA	
18	LANDING LIGHT ELECTRICAL WIRING TUBING	1	EA	
19	LANDING LIGHT ELECTRICAL WIRING BUSH	1	EA	
20	LANDING LIGHT ELECTRICAL WIRING WELDING	1	EA	
21	LANDING LIGHT ELECTRICAL WIRING SOLDER	1	EA	
22	LANDING LIGHT ELECTRICAL WIRING FLUX	1	EA	
23	LANDING LIGHT ELECTRICAL WIRING STRIPPED WIRE	1	EA	
24	LANDING LIGHT ELECTRICAL WIRING TERMINALS	1	EA	
25	LANDING LIGHT ELECTRICAL WIRING TERMINAL BLOCK	1	EA	
26	LANDING LIGHT ELECTRICAL WIRING TERMINAL STRIP	1	EA	
27	LANDING LIGHT ELECTRICAL WIRING TERMINAL CAP	1	EA	
28	LANDING LIGHT ELECTRICAL WIRING TERMINAL COVER	1	EA	
29	LANDING LIGHT ELECTRICAL WIRING TERMINAL GROUND	1	EA	
30	LANDING LIGHT ELECTRICAL WIRING TERMINAL BOND	1	EA	
31	LANDING LIGHT ELECTRICAL WIRING TERMINAL WELD	1	EA	
32	LANDING LIGHT ELECTRICAL WIRING TERMINAL SOLDER	1	EA	
33	LANDING LIGHT ELECTRICAL WIRING TERMINAL FLUX	1	EA	
34	LANDING LIGHT ELECTRICAL WIRING TERMINAL STRIPPED WIRE	1	EA	
35	LANDING LIGHT ELECTRICAL WIRING TERMINAL TERMINALS	1	EA	
36	LANDING LIGHT ELECTRICAL WIRING TERMINAL TERMINAL BLOCK	1	EA	
37	LANDING LIGHT ELECTRICAL WIRING TERMINAL TERMINAL STRIP	1	EA	
38	LANDING LIGHT ELECTRICAL WIRING TERMINAL TERMINAL CAP	1	EA	
39	LANDING LIGHT ELECTRICAL WIRING TERMINAL TERMINAL COVER	1	EA	
40	LANDING LIGHT ELECTRICAL WIRING TERMINAL TERMINAL GROUND	1	EA	
41	LANDING LIGHT ELECTRICAL WIRING TERMINAL TERMINAL BOND	1	EA	
42	LANDING LIGHT ELECTRICAL WIRING TERMINAL TERMINAL WELD	1	EA	
43	LANDING LIGHT ELECTRICAL WIRING TERMINAL TERMINAL SOLDER	1	EA	
44	LANDING LIGHT ELECTRICAL WIRING TERMINAL TERMINAL FLUX	1	EA	
45	LANDING LIGHT ELECTRICAL WIRING TERMINAL TERMINAL STRIPPED WIRE	1	EA	
46	LANDING LIGHT ELECTRICAL WIRING TERMINAL TERMINAL TERMINALS	1	EA	
47	LANDING LIGHT ELECTRICAL WIRING TERMINAL TERMINAL TERMINAL BLOCK	1	EA	
48	LANDING LIGHT ELECTRICAL WIRING TERMINAL TERMINAL TERMINAL STRIP	1	EA	
49	LANDING LIGHT ELECTRICAL WIRING TERMINAL TERMINAL TERMINAL CAP	1	EA	
50	LANDING LIGHT ELECTRICAL WIRING TERMINAL TERMINAL TERMINAL COVER	1	EA	
51	LANDING LIGHT ELECTRICAL WIRING TERMINAL TERMINAL TERMINAL GROUND	1	EA	
52	LANDING LIGHT ELECTRICAL WIRING TERMINAL TERMINAL TERMINAL BOND	1	EA	
53	LANDING LIGHT ELECTRICAL WIRING TERMINAL TERMINAL TERMINAL WELD	1	EA	
54	LANDING LIGHT ELECTRICAL WIRING TERMINAL TERMINAL TERMINAL SOLDER	1	EA	
55	LANDING LIGHT ELECTRICAL WIRING TERMINAL TERMINAL TERMINAL FLUX	1	EA	
56	LANDING LIGHT ELECTRICAL WIRING TERMINAL TERMINAL TERMINAL STRIPPED WIRE	1	EA	
57	LANDING LIGHT ELECTRICAL WIRING TERMINAL TERMINAL TERMINAL TERMINALS	1	EA	
58	LANDING LIGHT ELECTRICAL WIRING TERMINAL TERMINAL TERMINAL TERMINAL BLOCK	1	EA	
59	LANDING LIGHT ELECTRICAL WIRING TERMINAL TERMINAL TERMINAL TERMINAL STRIP	1	EA	
60	LANDING LIGHT ELECTRICAL WIRING TERMINAL TERMINAL TERMINAL TERMINAL CAP	1	EA	
61	LANDING LIGHT ELECTRICAL WIRING TERMINAL TERMINAL TERMINAL TERMINAL COVER	1	EA	
62	LANDING LIGHT ELECTRICAL WIRING TERMINAL TERMINAL TERMINAL TERMINAL GROUND	1	EA	
63	LANDING LIGHT ELECTRICAL WIRING TERMINAL TERMINAL TERMINAL TERMINAL BOND	1	EA	
64	LANDING LIGHT ELECTRICAL WIRING TERMINAL TERMINAL TERMINAL TERMINAL WELD	1	EA	
65	LANDING LIGHT ELECTRICAL WIRING TERMINAL TERMINAL TERMINAL TERMINAL SOLDER	1	EA	
66	LANDING LIGHT ELECTRICAL WIRING TERMINAL TERMINAL TERMINAL TERMINAL FLUX	1	EA	
67	LANDING LIGHT ELECTRICAL WIRING TERMINAL TERMINAL TERMINAL TERMINAL STRIPPED WIRE	1	EA	
68	LANDING LIGHT ELECTRICAL WIRING TERMINAL TERMINAL TERMINAL TERMINAL TERMINALS	1	EA	
69	LANDING LIGHT ELECTRICAL WIRING TERMINAL TERMINAL TERMINAL TERMINAL TERMINAL BLOCK	1	EA	
70	LANDING LIGHT ELECTRICAL WIRING TERMINAL TERMINAL TERMINAL TERMINAL TERMINAL STRIP	1	EA	
71	LANDING LIGHT ELECTRICAL WIRING TERMINAL TERMINAL TERMINAL TERMINAL TERMINAL CAP	1	EA	
72	LANDING LIGHT ELECTRICAL WIRING TERMINAL TERMINAL TERMINAL TERMINAL TERMINAL COVER	1	EA	
73	LANDING LIGHT ELECTRICAL WIRING TERMINAL TERMINAL TERMINAL TERMINAL TERMINAL GROUND	1	EA	
74	LANDING LIGHT ELECTRICAL WIRING TERMINAL TERMINAL TERMINAL TERMINAL TERMINAL BOND	1	EA	
75	LANDING LIGHT ELECTRICAL WIRING TERMINAL TERMINAL TERMINAL TERMINAL TERMINAL WELD	1	EA	
76	LANDING LIGHT ELECTRICAL WIRING TERMINAL TERMINAL TERMINAL TERMINAL TERMINAL SOLDER	1	EA	
77	LANDING LIGHT ELECTRICAL WIRING TERMINAL TERMINAL TERMINAL TERMINAL TERMINAL FLUX	1	EA	
78	LANDING LIGHT ELECTRICAL WIRING TERMINAL TERMINAL TERMINAL TERMINAL TERMINAL STRIPPED WIRE	1	EA	
79	LANDING LIGHT ELECTRICAL WIRING TERMINAL TERMINAL TERMINAL TERMINAL TERMINAL TERMINALS	1	EA	
80	LANDING LIGHT ELECTRICAL WIRING TERMINAL TERMINAL TERMINAL TERMINAL TERMINAL TERMINAL BLOCK	1	EA	
81	LANDING LIGHT ELECTRICAL WIRING TERMINAL TERMINAL TERMINAL TERMINAL TERMINAL TERMINAL STRIP	1	EA	
82	LANDING LIGHT ELECTRICAL WIRING TERMINAL TERMINAL TERMINAL TERMINAL TERMINAL TERMINAL CAP	1	EA	
83	LANDING LIGHT ELECTRICAL WIRING TERMINAL TERMINAL TERMINAL TERMINAL TERMINAL TERMINAL COVER	1	EA	
84	LANDING LIGHT ELECTRICAL WIRING TERMINAL TERMINAL TERMINAL TERMINAL TERMINAL TERMINAL GROUND	1	EA	
85	LANDING LIGHT ELECTRICAL WIRING TERMINAL TERMINAL TERMINAL TERMINAL TERMINAL TERMINAL BOND	1	EA	
86	LANDING LIGHT ELECTRICAL WIRING TERMINAL TERMINAL TERMINAL TERMINAL TERMINAL TERMINAL WELD	1	EA	
87	LANDING LIGHT ELECTRICAL WIRING TERMINAL TERMINAL TERMINAL TERMINAL TERMINAL TERMINAL SOLDER	1	EA	
88	LANDING LIGHT ELECTRICAL WIRING TERMINAL TERMINAL TERMINAL TERMINAL TERMINAL TERMINAL FLUX	1	EA	
89	LANDING LIGHT ELECTRICAL WIRING TERMINAL TERMINAL TERMINAL TERMINAL TERMINAL TERMINAL STRIPPED WIRE	1	EA	
90	LANDING LIGHT ELECTRICAL WIRING TERMINAL TERMINAL TERMINAL TERMINAL TERMINAL TERMINAL TERMINALS	1	EA	
91	LANDING LIGHT ELECTRICAL WIRING TERMINAL TERMINAL TERMINAL TERMINAL TERMINAL TERMINAL TERMINAL BLOCK	1	EA	
92	LANDING LIGHT ELECTRICAL WIRING TERMINAL TERMINAL TERMINAL TERMINAL TERMINAL TERMINAL TERMINAL STRIP	1	EA	
93	LANDING LIGHT ELECTRICAL WIRING TERMINAL TERMINAL TERMINAL TERMINAL TERMINAL TERMINAL TERMINAL CAP	1	EA	
94	LANDING LIGHT ELECTRICAL WIRING TERMINAL TERMINAL TERMINAL TERMINAL TERMINAL TERMINAL TERMINAL COVER	1	EA	
95	LANDING LIGHT ELECTRICAL WIRING TERMINAL TERMINAL TERMINAL TERMINAL TERMINAL TERMINAL TERMINAL GROUND	1	EA	
96	LANDING LIGHT ELECTRICAL WIRING TERMINAL TERMINAL TERMINAL TERMINAL TERMINAL TERMINAL TERMINAL BOND	1	EA	
97	LANDING LIGHT ELECTRICAL WIRING TERMINAL TERMINAL TERMINAL TERMINAL TERMINAL TERMINAL TERMINAL WELD	1	EA	
98	LANDING LIGHT ELECTRICAL WIRING TERMINAL TERMINAL TERMINAL TERMINAL TERMINAL TERMINAL TERMINAL SOLDER	1	EA	
99	LANDING LIGHT ELECTRICAL WIRING TERMINAL TERMINAL TERMINAL TERMINAL TERMINAL TERMINAL TERMINAL FLUX	1	EA	
100	LANDING LIGHT ELECTRICAL WIRING TERMINAL TERMINAL TERMINAL TERMINAL TERMINAL TERMINAL TERMINAL STRIPPED WIRE	1	EA	

LANDING LIGHT ASSEMBLY
 SP-6000



WIRE - SEE ELECTRICAL SPEC.
 NO SCALE
 ARCHITECTURAL

NO. 101	NO. 102	NO. 103	NO. 104	NO. 105	NO. 106	NO. 107	NO. 108	NO. 109	NO. 110
101	102	103	104	105	106	107	108	109	110
101	102	103	104	105	106	107	108	109	110
101	102	103	104	105	106	107	108	109	110
101	102	103	104	105	106	107	108	109	110
101	102	103	104	105	106	107	108	109	110
101	102	103	104	105	106	107	108	109	110
101	102	103	104	105	106	107	108	109	110
101	102	103	104	105	106	107	108	109	110
101	102	103	104	105	106	107	108	109	110

-E-111-