



REPUBLIC AVIATION CORPORATION
FARMINGDALE, LONG ISLAND, NEW YORK
SERVICE DEPARTMENT

May 9, 1947

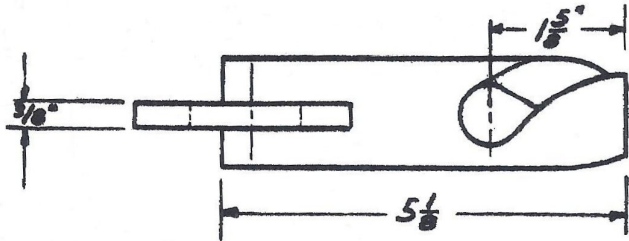
Distributor's No. 36

TOWING EQUIPMENT

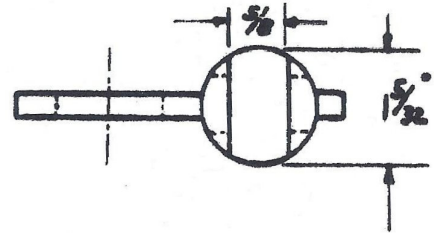
For additional facility and insurance against possible damage during ground handling of your Seabee, you are urged to make use of the towing bars and adapter lugs for which necessary sketches and specifications are reproduced on the reverse side of this notice.

The fabrication and employment of this equipment will prove to save many man-hours of service since with it the tractor driver alone can have complete control over the airplane during transportation to and from the tie-down area, etc.

W. H. Ehmann
Service Manager

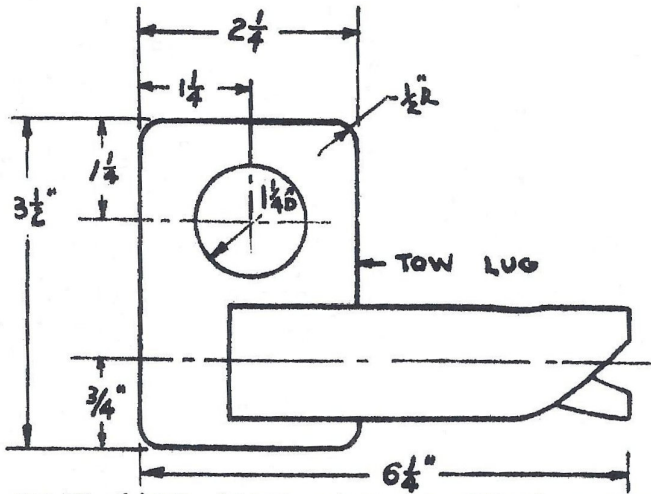


LEFT HAND SHOWN.

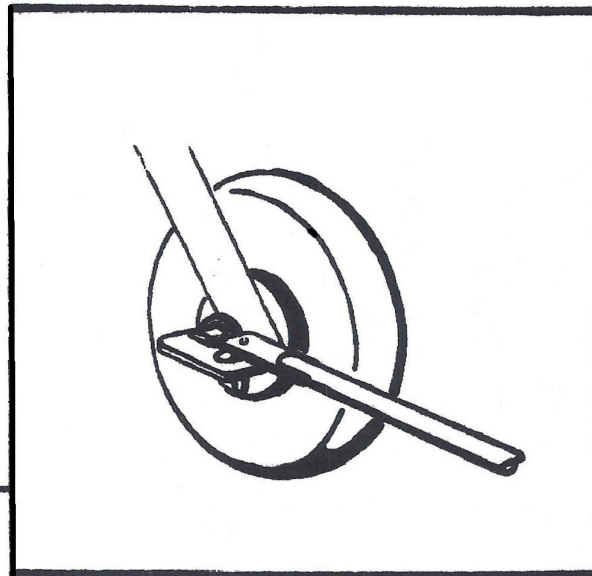


NOTE!

VERTICAL MILL SPIRAL 1/4 TURN.
5/8" DIA. END MILL CHUCK PART
IN DIVIDING HEAD 6.51 LEAD
GEARED TO TABLE.



RIGHT HAND SAME WITH EXCEPTION OF TOW
LUG FACING OPP. TO MAKE PAIR.



ALL PARTS COLD ROLLED STEEL
WELDED CONSTRUCTION.

